



NEW | Sivoia® QS Wireless
product overview





Delight customers and expand your revenue stream with Sivoia QS Wireless – the latest innovation from Lutron[®].

- **Wireless** means easier installation – no communication wiring
- **Reliable** Lutron-engineered radio frequency (RF) technology ensures superior performance
- **Innovative** design allows customizable placement of the new wireless Pico™ control. Use as a handheld remote, wall mount, or place control on a tabletop

Sivoia QS Wireless is the newest shading solution from Lutron. This family of new products offers simple, scalable solutions for both new applications and retrofit installations. Provide homeowners with touch-of-a-button daylight control.



Pico control on tabletop pedestal

Sivoia QS Wireless family

Sivoia QS Wireless offers ultra-quiet, precision control of the full family of Lutron[®] window treatment styles, including roller shades, drapery track systems, skylight shades, and Roman shades.

Roller shade systems

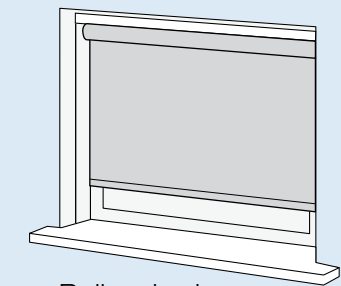
- roller 20™
- roller 64™
- roller 100™
- roller 200CW
- roller 225™

Drapery track systems

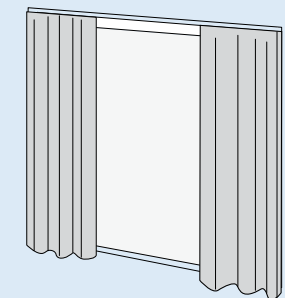
- D105 drive
- D145 drive
- D175 drive

Skylight shades

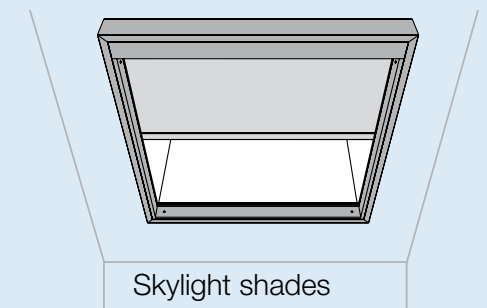
Roman shades



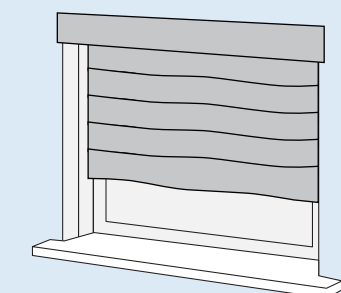
Roller shades



Drapery track systems



Skylight shades



Roman shades

How does Sivoia QS Wireless work?

Sivoia QS Wireless roller shade, drapery track, skylight shade, and Roman shade drives are all “wireless enabled” and arrive with a hidden Lutron® RF receiver.

Communications

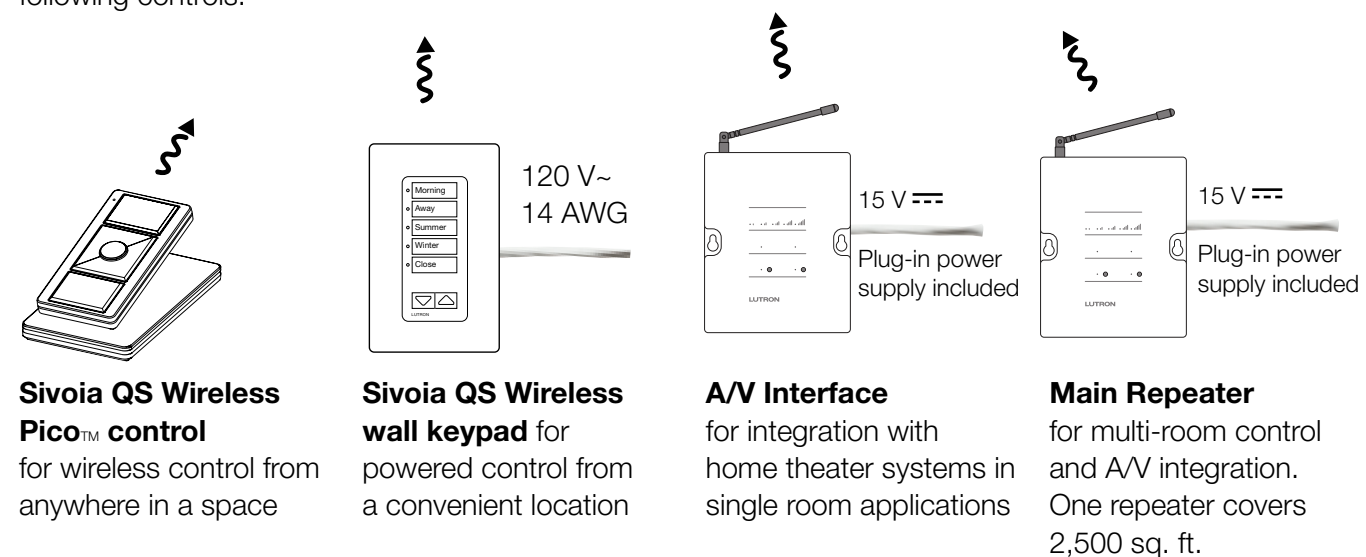
RF receiver (not shown actual size)

Power

24 V \equiv
2 16-24 AWG



The receiver enables the drive to receive RF communication from a Lutron Sivoia QS Wireless device, including any of the following controls:



Note: Multiple wireless controls can be assigned to control the same shade.

Simple set-up

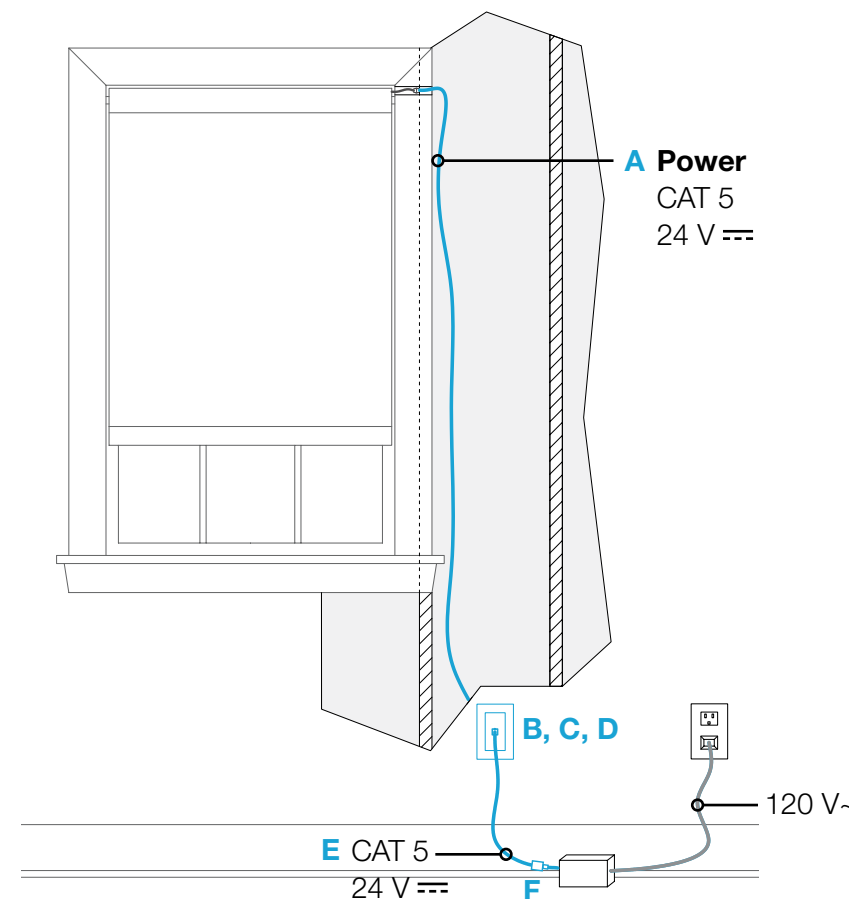
Quick set-up step assigns shade drive to the selected controller(s). A Sivoia QS Wireless system can be comprised of up to 100 devices. Devices have a 30 foot range — to extend beyond that range, use a repeater.

Power options that capitalize on the Wireless Advantage

It is never too late to provide your customers with the ultimate in precision daylight control.

Reach a whole new category of customers through Lutron’s flexible power options for renovations and retrofit applications.

Wall Saver Power Kit (WSPK)



WSPK (QSA-WSPK-WH) includes:

- A.** Cable connecting shade to low voltage wall port (10 ft.)
- B.** Low voltage wall port
- C.** Low voltage wallbox
- D.** Claro wallplate (white)
- E.** Cable connecting low voltage wall port to adapter cable
- F.** Adapter cable (4 in.) for connection to power supply (power supply not included)

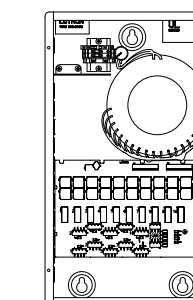
Other flexible power options

Easy-to-hide power wiring

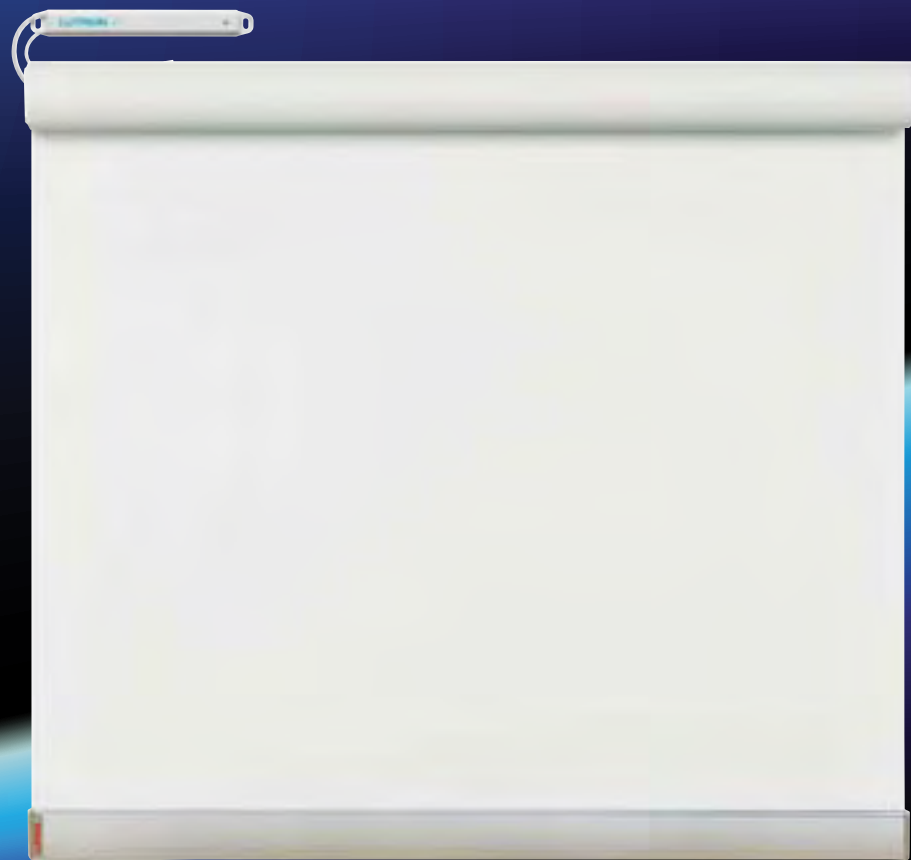
Use thin wire for retrofit installations with short wire runs.

Distance	Wire Gauge
200 ft.	16 AWG
125 ft.	18 AWG
75 ft.	20 AWG
50 ft.	22 AWG
25 ft.	24 AWG

Optional power panel



The Lutron® QS wireless panel power supply is also available for installations where hard wiring power of multiple shades is preferred.



Sivoia QS Wireless shade with RF receiver

Pico color palette

The Pico control is available in a variety of standard colors to coordinate with any décor.



White and grey (WH/GR) White (WH) Ivory (IV) Almond (AL) Light Almond (LA) Black (BL)

Available engraving: Shade, Drape, Shade 1, Shade 2, Sheer, Blackout

Tabletop pedestals

Designer gloss finishes

(WH) White (BL) Black



Custom tabletop pedestals

Make a statement with contrasting metal bases

Metal finishes*

(SB) Satin Brass	(QB) Antique Brass									
(BB) Bright Brass	(QZ) Antique Bronze									
(BC) Bright Chrome	(SC) Satin Chrome	(SB)	(BB)	(BC)	(CLA)	(BLA)	(BRA)	(BA)		
(CLA) Clear Anodized Aluminum	(SN) Satin Nickel									
(BLA) Black Anodized Aluminum	(BN) Bright Nickel									
(BRA) Brass Anodized Aluminum	(AU) Gold Plated	(QB)	(QZ)	(SC)	(SN)	(BN)	(AU)			
(BA) Blue Anodized Aluminum										



Tabletop



Handheld



Wall-mount



Convenient wireless shade control for any room

The versatile Pico™ wireless control can be used as a tabletop control on a pedestal, wall-mounted or as a handheld remote.

This allows you to customize control for your shading job to best reflect the needs of the site and your customer. Provide the ultimate in convenience for shade control in any room.



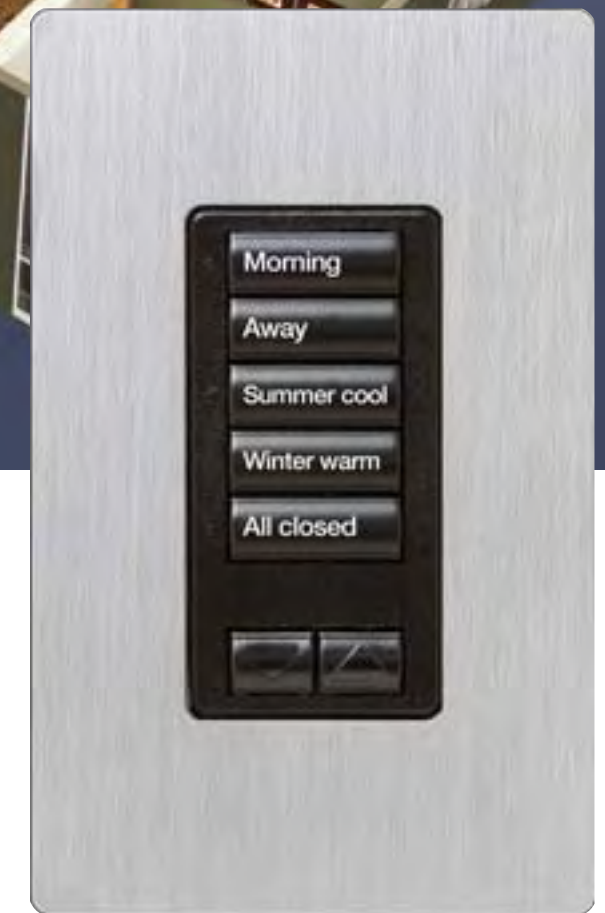
Pico control on pedestal (actual size)



Centralized scene control

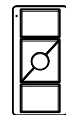
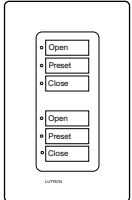
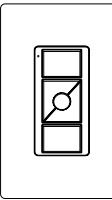



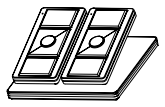


Take convenience and efficiency to the next level with wireless shade control throughout the entire home.

Control shades individually in each room, and provide homeowners total control from a centralized keypad. A repeater boosts signal if necessary. No project scope is too large for this scalable system.

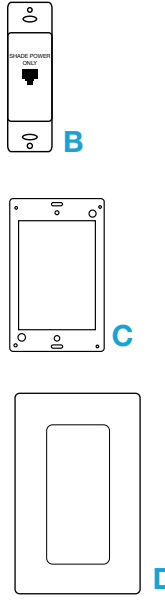
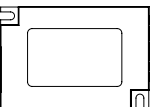
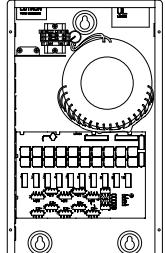


seeTouch® keypad (actual size)

Sivoia® QS Wireless components provide a scalable shading solution for the entire home. Individual controls can be wall-mounted, handheld, or placed on the tabletop. Provide centralized control with scene keypad.

Control options	
 <p>Pico™ Handheld* Room control of shades</p>	 <p>Single-room multi-group keypad - Control shades, drapes, or any combination in one space - Available in a variety of button configurations - Optional raise/lower buttons available</p>
 <p>Pico Wall mount* Room control of shades (no power wiring)</p>	 <p>Centralized scene control keypad Move shades throughout the entire home at the touch of a button (wire for power) Available Summer 2009</p>
 <p>Pico Tabletop* Non-skid weighted base for room control of one group of shades</p>	 <p>A/V Interface Enables customer-supplied touch-screen or third-party equipment to control shades</p>
 <p>Pico Dual tabletop* Room control of two groups of shades</p>	 <p>Main repeater For multi-room control and A/V integration. One repeater covers 2,500 sq. ft. (Power supply cord included.) Available Summer 2009</p>
	 <p>Auxiliary repeater For multi-room control (Power supply cord included) Available summer 2009</p>

* Battery life: 5 year minimum

Power options	
 <p>Wall Saver Power Kit Solution for retrofit applications where power is nearby.</p> <p>A. Cable connecting shade to low voltage wall receptacle (10 ft.) B. Low voltage wall port C. Low voltage wallbox D. Claro wallplate (white) E. Cable connecting low voltage wall port to adapter cable F. Adapter cable (4 in.) for connection to power supply (power supply not included)</p>	
 <p>Individual power supply Provide power to any single Sivoia QS Wireless shade or drape</p>	
 <p>QS wireless panel power supply Power source for hard wiring multiple shades</p>	

Lutron® has been the world's leading manufacturer of lighting controls and systems for more than 45 years. With the addition of shading solutions, Lutron has opened up a new world of possibilities by seamlessly integrating electric and daylight control with a focus on innovation, world-class engineering, and customer service. Lutron blends technology with design and environmental sensitivity to provide the ideal solution for total light control.



www.lutron.com/wireless_shades

Lutron Electronics Co., Inc.
7200 Suter Road
Coopersburg, PA 18036-1299

World Headquarters +1.610.282.3800
Technical Support Center 1.800.523.9466
Customer Service/Quotes 1.800.446.1503
Email: shadinginfo@lutron.com

© 03/2009 Lutron Electronics Co., Inc.
P/N 367-1612