



Sivoia® QS | shading solutions

Total light control



Sivoia® QS | shading solutions

Total light control from Lutron®

Sivoia QS is the next generation of shading technology from Lutron, and the ideal solution for total light control. The Sivoia QS shading product family includes roller shades, drapery tracks, and skylight shades. Its simplified wiring and

common communication language allow for easy integration with Lutron lighting controls, including the GRAFIK Eye® QS. Control electric and daylight at the touch of a button.



Precision control of daylight

- Control shades with precision and elegance
- Shades start, move, and stop in unison, maintaining perfect alignment with each other (within .125 in. [3.17 mm])
- Minimal, symmetrical 0.75 in. (19 mm) light gaps ensure maximum window coverage

Total light control

- Seamless integration with GRAFIK Eye® QS for intuitive control of electric and daylight
- Integration with other Lutron lighting control products
- Adjustable light and shade zones for scene control

Ultra-quiet performance

- Manage daylight without disturbing the activity in a space
- Near-silent level operation rated at less than 44dBA at 3 feet (1 m)

Easy to design, install, and integrate

- Simplified low voltage wiring scheme
- Built-in diagnostics to verify system communications

Simple operation, beautiful aesthetics

- Simple, intuitive control of shades, drapes, and lights with seeTouch® QS keypads
- Wide variety of styles, colors, and metal finishes to complement your décor
- Backlit, engraved buttons for visible, intuitive control
- Preset buttons instantly recall a favorite light level or shade position

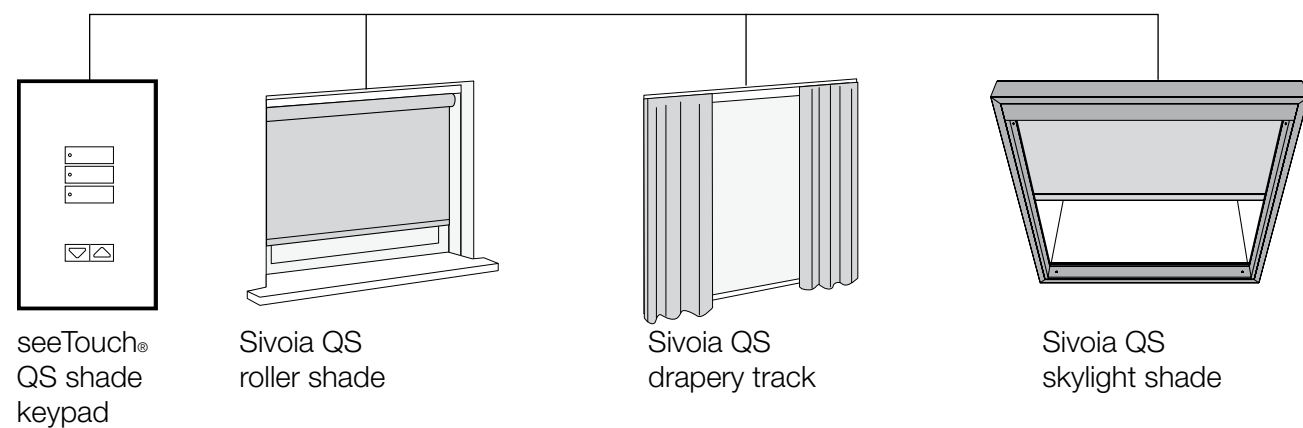


Total light control at the touch of a button with the GRAFIK Eye® QS control (not actual size)

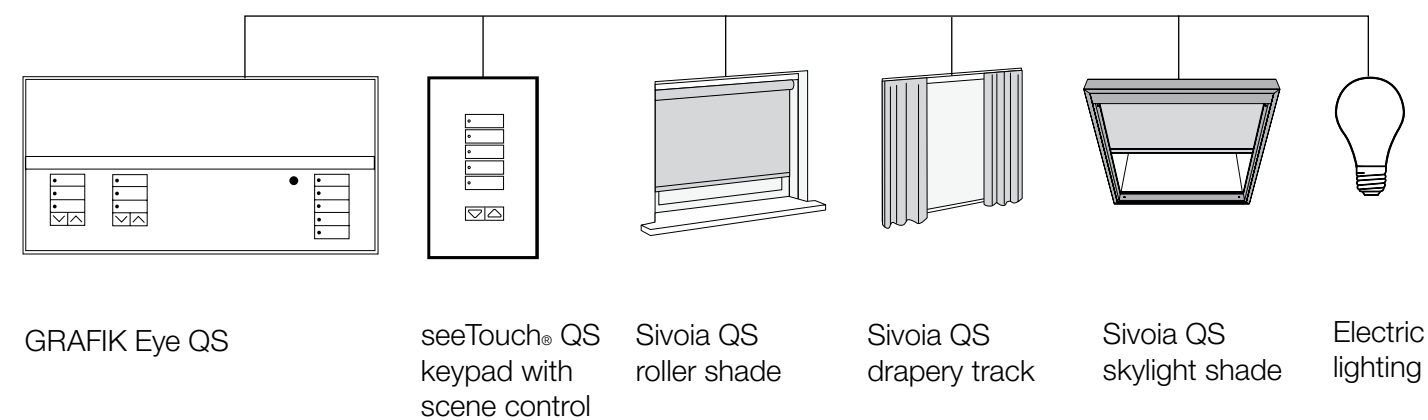
Sivoia® QS | system solutions

Sivoia QS shading solutions can scale from a standalone shade system to a total light control solution that integrates precision shading with lighting control.

Standalone shade control system



Integrated shade and light control system with GRAFIK Eye® QS



Daylight control

Daylight is a source of light and needs to be controlled to provide the right light level for the activity. Sivoia QS shading solutions provide quiet, precision control of daylight at the touch of a button.

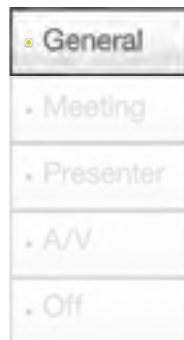
Total light control

Sivoia® QS shading solutions integrate seamlessly with the GRAFIK Eye® QS for total light control. Create and recall lighting scenes by automatically adjusting electric and daylight zones at the touch of a button.

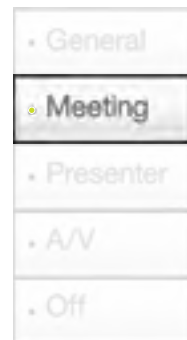
Explore the following solutions to understand how total light control can impact your space.

total light control | commercial

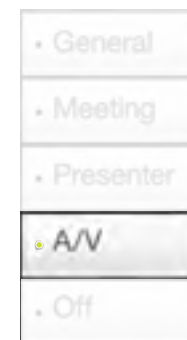
Beyond seating arrangements and AV equipment, lighting is a key element in a function room with changing needs. Lutron® Sivoia® QS drapery tracks and roller shades transform a space from reception hall to conference room and back.



The shades and drapes are open, filling the room with daylight and revealing the view to create an impressive, yet welcoming, environment for clients. The lights are dimmed to conserve energy without sacrificing an evenly illuminated conference space.



Shades are lowered to eliminate unwanted glare from direct sunlight, thereby maximizing room comfort during meetings.

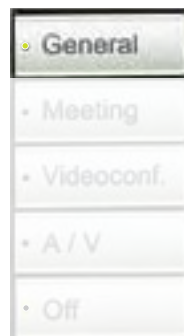


Drapes close to darken the room for an A/V presentation while adding a soft, elegant touch to the space. General light levels are low to provide sufficient light for note-taking.

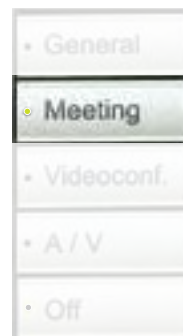
seeTouch® QS keypads provide control points throughout a space. Control shades, drapes, and lighting scenes at the touch of a button.

total light control | commercial

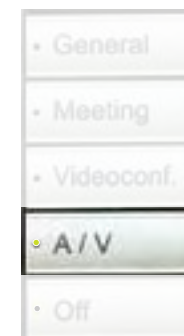
Conference rooms demand flexible control in order to accommodate a number of activities. Adjust shades and lights for roundtable discussions, presentations, and even cleanup.



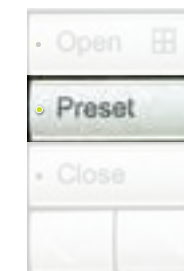
Shades are open to allow daylight in, brightening the room to energize the staff for a morning meeting. The lights by the window are dimmed to save energy.



Silently lower sheer shades to reduce glare and solar heat gain, while preserving the view in this west-facing conference room. The lights put the focus on the table for an afternoon meeting.



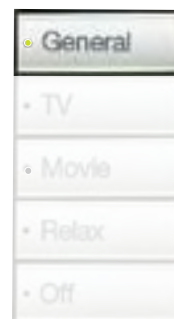
Blackout shades lower through side channels to completely block daylight. General light levels are set low to ensure maximum visibility of the screen with enough light for note-taking.



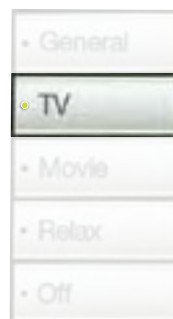
Multiple shade and drape groups can be controlled independent of scenes with the GRAFIK Eye® QS.

total light control | residential

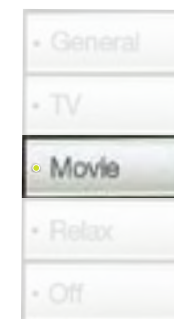
With Lutron®, choose the perfect lighting levels for different activities and occasions throughout the home. Transform the living room for family gatherings, reading, watching a movie, or entertaining.



The shades are partially open to reveal the view and take advantage of daylight for activities such as games or cleaning. The lights are off to save energy.



The TV scene creates a casual atmosphere. Shades are partially closed to create privacy and lights are set at a medium level.



A single button quietly lowers shades and lights for the perfect movie setting. Blackout shades close to block daylight and ensure a clear view of the screen without reflections or glare. Lights are dimmed for optimum viewing conditions.

Shades can be controlled independent of lighting scenes for added flexibility with GRAFIK Eye® QS.

Sivoia® QS:

system components

Shading solutions

(One common communication link)

Sivoia QS roller shade

- Provides ultra-quiet, precision control of daylight
- Sheer, dim-out, and blackout fabrics available in a variety of colors and styles
- See pages 12-15 for more information



Sivoia QS drapery track

- System allows for pinch pleat and ripplefold style options
- Right draw, left draw, center draw, and tandem systems available
- Customer-supplied drapes
- See pages 16-17 for more information



Sivoia QS skylight shade

- Smooth, quiet, precise movement of skylight shades
- Sheer, dim-out, and blackout fabrics available in a variety of colors and styles
- See pages 18-19 for more information



Control options

seeTouch® QS keypads

- Control shades, drapes, lights, or any combination in one space
- Available in a variety of styles and button configurations
- Optional raise/lower buttons and an infrared sensor available



Sivoia QS infrared remote

- Provide personal control of an individual shade/drape or groups of shades/drapes
- Offers open, close, preset and raise/lower control



Power and integration

QS smart panel power supply

- Provides power and communication wiring to Sivoia QS shades, keypads, and other devices
- Manual override buttons for system verification
- Built-in link diagnostics for easy confirmation of system wiring and communication



Individual power supply

- Provide power to a single shade or drape



Ethernet/RS232 interfaces

- Allow for seamless integration of lights and shades with A/V and building management systems



Input/output device

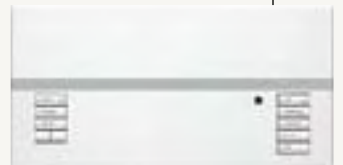
- Simple, third party interface with contact closure input



Lighting control/integration

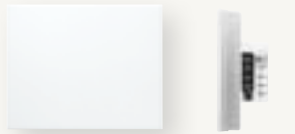
GRAFIK Eye® QS

- Preset control of both lighting and shading zones
- Astronomic and programmable time clock provides scheduling of shade and/or light level adjustments for automated convenience
- Information display provides data about energy savings, lighting levels, and time clock information
- Connection port for IR receiver, PC, and occupancy sensor



Power modules

- Adaptive technology controls either magnetic or electronic transformers for low-voltage lighting
- Modules available for 120V or dual voltage (120V and 277V)



Sivoia® QS:

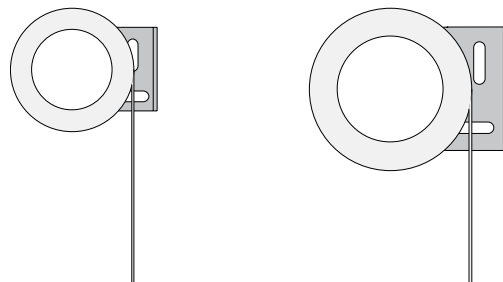
roller shades | overview

Sivoia® QS shades are the ideal solution for ultra-quiet, precision control of daylight. Roller shades are available in different sizes to accommodate the needs of any application.



Small- to medium-sized windows

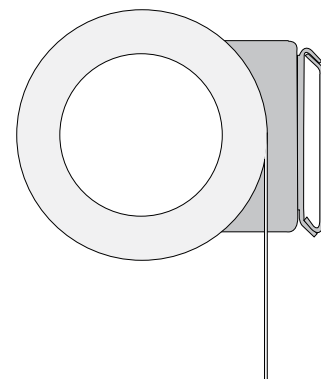
roller 20™ and roller 64™ have small tube diameters that make them the perfect solution for small- to medium-sized windows. Control daylight and create privacy in the office or at home.



* roller 20 available April 2009

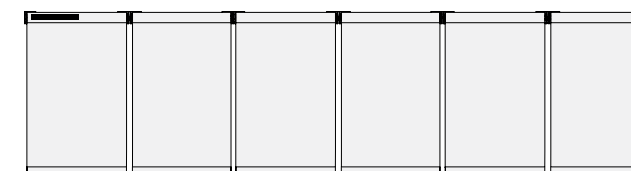
Floor-to-ceiling windows

roller 100™ is designed for larger windows, such as those in floor-to-ceiling applications. These windows are often found in offices and condominiums. Preserve the view while increasing productivity.



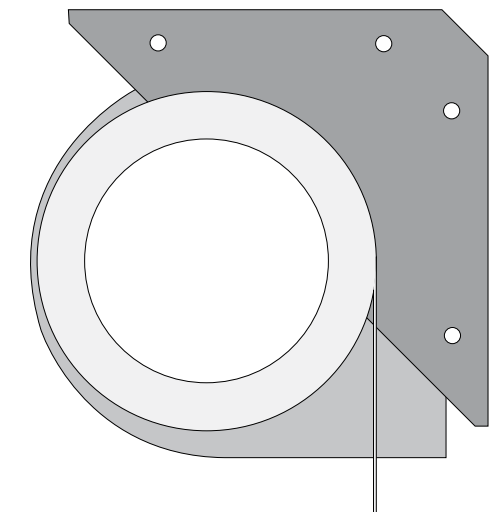
Curtain walls

Couple up to 6 shades as a group with a single Electronic Drive Unit (EDU) with roller 200CW.

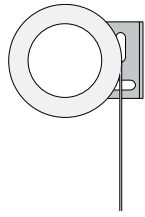


Multi-story windows

roller 225™ provides a heavy-duty bracket and higher torque for much larger applications. Add precision control of daylight in atriums, lobbies, and in areas with multi-story windows.



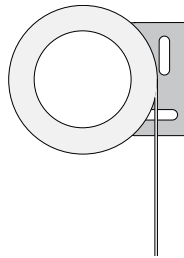
Sivoia® QS: roller shades | overview



roller 20*

Tube size: 1.25 in. (32 mm) diameter
 Pocket size: 3.5 in. w x 3.5 in. h (89 mm w x 89 mm h)
 Typical maximum size**: 20 sq. ft. (1.86 sq. m)

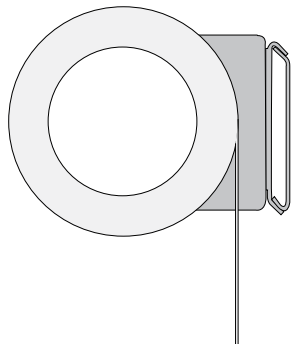
Minimum bracket-to-bracket width: 18.5 in. (470 mm)
 Maximum bracket-to-bracket width**: 6.5 ft. (1981 mm)



roller 64™

Tube size: 1.625 in. (41 mm) diameter
 Pocket size: 3.5 in. w x 3.5 in. h (89 mm w x 89 mm h)
 Typical maximum size**: 64 sq. ft. (5.95 sq. m)

Minimum bracket-to-bracket width: 18.5 in. (470 mm)
 Maximum bracket-to-bracket width**: 8 ft. (2438 mm)

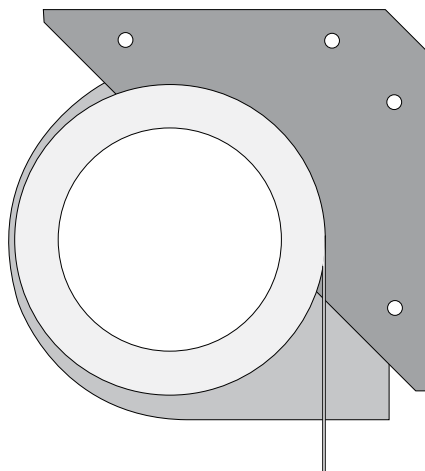


roller 100™ and roller 200CW

Tube size: 2.56 in. (65 mm) diameter
 Pocket size: 4.75 in. w x 5.0 in. h (121 mm w x 127 mm h)

roller 100 Typical maximum size**: 100 sq. ft. (9.29 sq. m)
 Minimum bracket-to-bracket width: 24 in. (610 mm)
 Maximum bracket-to-bracket width**: 10 ft. (3048 mm)

roller 200CW Typical maximum system size**: 200 sq. ft. (18.6 sq. m) (up to 6 shades, 200 sq. ft. total)
 Minimum bracket-to-bracket width:
 25 in. (635 mm)



roller 225™

Tube size: 3.75 in. (95 mm) diameter
 Pocket size: 7 in. w x 7 in. h (178 mm w x 178 mm h)
 Typical maximum size**: 225 sq. ft. (20.9 sq. m)

Minimum bracket-to-bracket width: 31.75 in. (806 mm)
 Maximum bracket-to-bracket width**: 15 ft. (4572 mm)

* Note - roller 20 available April 2009

**Larger shades may be available based on fabric selection.
 Contact customer service or use the SCT for actual shade dimensions based on fabric type.

Sivoia® QS: roller shade fabrics | overview

For reliable daylight control that enhances a room's décor, Lutron® provides a superior selection of roller shade fabrics. Sheer, dim-out, and blackout fabrics are available in a variety of colors and patterns. PVC-free, 100% recycled, GREENGUARD® Certified or OekoTex® Standard 100 Certified fabrics are also available.

Our fabrics are divided into two premium collections:

The Gallery Collection by Lutron

The new Gallery Collection is comprised of sophisticated designs for residential applications. All fabrics are sustainable.

Categories:

- **Sheer:** sunlight is filtered while preserving the view
- **Dim-out:** permits some light, but view is limited to shapes and shadows

The Classico Collection by Lutron

The Classico Collection offers durable performance fabrics that are also stylish. Perfect for both commercial and residential applications, this collection offers wider roll widths and fire retardant fabrics.

Categories:

- **Sheer:** sunlight is filtered while preserving the view
- **Dim-out:** permits some light, but view is limited to shapes and shadows
- **Blackout:** prevents all light from passing through the material. Combine with side channels, top treatments, and other components for a complete light seal.

Visit www.lutron.com/fabrics for more information.



Sivoia® QS:

drapery track | overview

Sivoia® QS drapery tracks are the ideal solution for controlling customer-supplied drapes that respond to the touch of a button. Operate pinch pleat or ripplefold drapes for quiet, elegant, convenient control of daylight.



Straight tracks

Drapes add a soft, elegant touch to your décor. Control pinch pleat or ripplefold styles on straight tracks using Sivoia QS drapery drives.



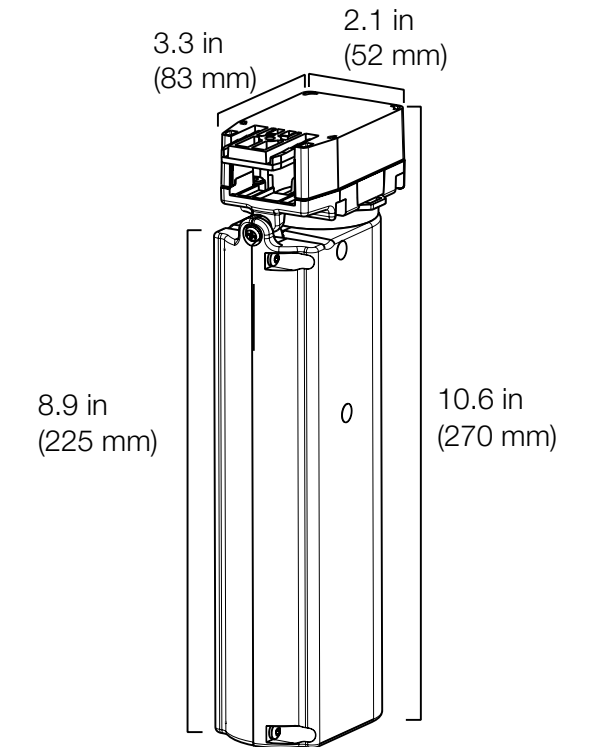
Curved tracks

Custom curved tracks are available and add a unique aesthetic to a space that requires specific design needs.



Long tracks

A track splicing option facilitates the shipment and installation of long drapery tracks. Long standard track lengths are up to 30 ft (9144 mm) for a single spliced track or up to 60 ft (18288 mm) for spliced, tandem systems.



Drapery track drive options

Sivoia QS drapery drives are designed to carry customer-supplied drapes of different weights.

Available options are:

- D105 – for drapes up to 105 lbs (48 kg)
- D145 – for drapes up to 145 lbs (66 kg)
(Available June 2009)
- D175 – for drapes up to 175 lbs (79 kg)
(Available June 2009)

Visit www.lutron.com/draperytrack for drive capacity charts and more information.

Sivoia® QS:

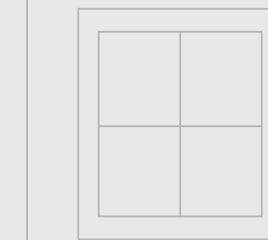
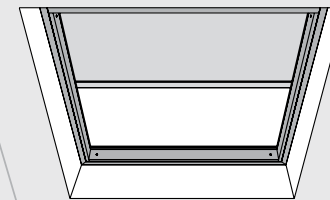
skylight shade | overview

Customers can now reliably control daylight through skylights to enhance the visual environment and save energy by reducing solar heat gain. The new skylight shade from Lutron® combines innovative Sivoia® QS technology with a newly designed patent-pending tension system. Fabric is kept taut and parallel to skylight windows regardless of slope.

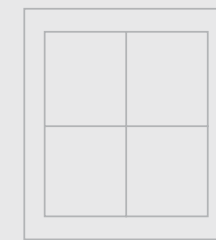
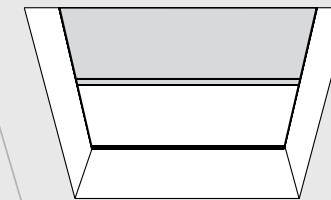


Mounting options

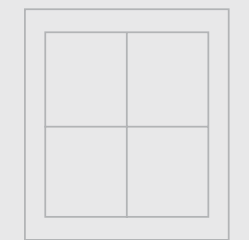
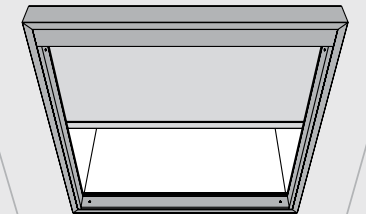
Inside mount



Recessed inside mount



Outside mount (ceiling)



Aesthetics

- Light-blocking fascia eliminates light gaps around fabric when closed
- Concealed cable guides maximize view through skylight
- Wide variety of high performance fabrics enhance décor

Control

- Smooth, quiet, precise movement of skylight shades creates elegant transitions
- One-touch control of hard-to-reach skylight shades through keypad or IR remote
- Seamless integration with other Lutron Sivoia QS products and lighting controls

Installation

- Inside, recessed, and outside mounting options allow system to fit any application
- Flexible installation at any angle between 0° and 45° with consistent aesthetic results
- Pre-assembled shipping available to maximize installation convenience

Design

- Unique tension-absorbing frame eliminates stress on the surrounding ceiling structure
- Reliable performance under extreme temperatures is ensured by weld- and seam-free design
- Scalable design allows for control of skylights up to 70 sq. ft. in size*

Visit www.lutron.com/skylightshade for more information.

* Larger shades may be available based on fabric selection. Contact customer service or use the SCT for actual shade dimensions based on fabric type.

Sivoia® QS:

seeTouch® QS | keypads

seeTouch QS keypads control shades, drapes, lights, or a combination of all three (14 models available*). All keypads are available with standard or custom engraving in a variety of colors and finishes.



QSWS2-3BRLN-WH-E01
3-button keypad with raise/lower



QSWS2-5BRLN-WH-E01
5-button keypad with raise/lower



QSWS2-1RLDN-WH-E01
3 group, 2-button keypad with raise/lower



QSWS2-2RLDN-WH-E01
2-button dual keypad with raise/lower



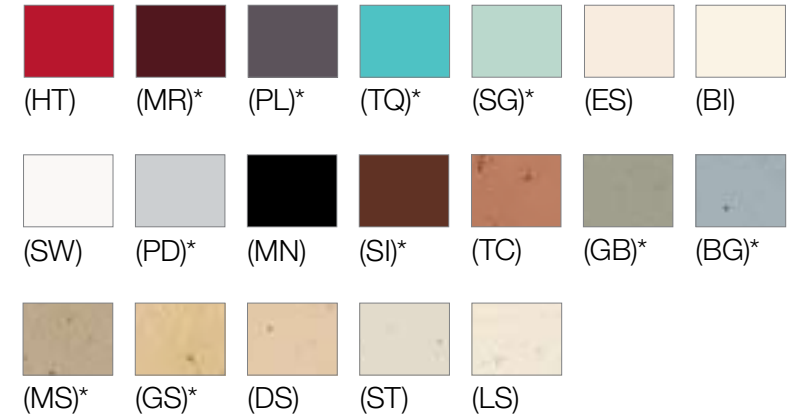
QSWS2-3BRLIRN-WH-E01
3-button keypad with infrared receiver and raise/lower



QSWS2-2RLDN-WH-E01
Dual lights and shades keypad with raise/lower

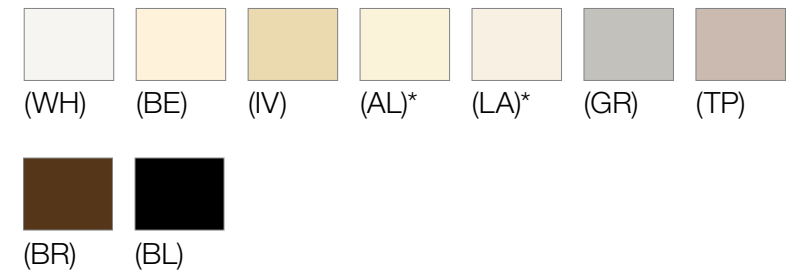
Satin Colors® matte finishes

- | | |
|-----------------|-------------------|
| (HT) Hot | (TC) Terracotta |
| (MR) Merlot* | (GB) Greenbriar* |
| (PL) Plum* | (BG) Bluestone* |
| (TQ) Turquoise* | (MS) Mocha Stone* |
| (SG) Sea Glass* | (GS) Goldstone* |
| (ES) Eggshell | (DS) Desert Stone |
| (BI) Biscuit | (ST) Stone |
| (SW) Snow | (LS) Limestone |
| (PD) Palladium* | |
| (MN) Midnight | |
| (SI) Sienna* | |



Architectural Matte Finishes

- | | |
|--------------------|------------|
| (WH) White | (GR) Gray |
| (BE) Beige | (TP) Taupe |
| (IV) Ivory | (BR) Brown |
| (AL) Almond* | (BL) Black |
| (LA) Light Almond* | |



Architectural Metal Finishes

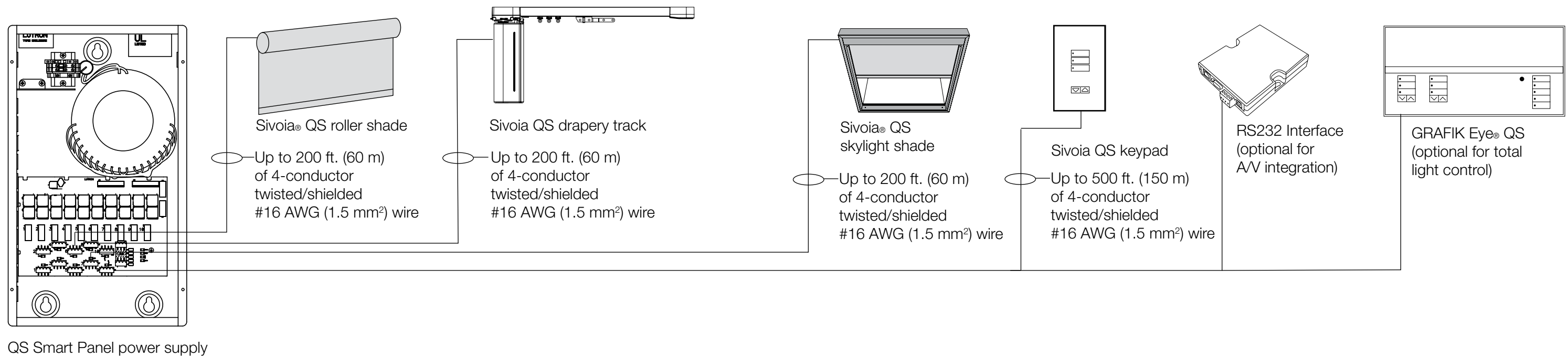
- | | |
|-------------------------------|---------------------|
| (SB) Satin Brass | (QB) Antique Brass |
| (BB) Bright Brass | (QZ) Antique Bronze |
| (BC) Bright Chrome | (SC) Satin Chrome |
| (CLA) Clear Anodized Aluminum | (SN) Satin Nickel |
| (BLA) Black Anodized Aluminum | (BN) Bright Nickel |
| (BRA) Brass Anodized Aluminum | |



* For a complete guide on keypad options with model numbers, please refer to the seeTouch QS wallstation specification submittal at www.lutron.com/SivoiaQS

Color samples shown are representations only. See product samples for exact finishes and ask your Lutron sales representative for color availability.

wiring diagram



- Maximum 100 devices (Sivoia QS roller shades, drapery tracks, skylight shades, seeTouch® QS keypads, GRAFIK Eye QS main units, and QS power supplies) per system
- Maximum 100 zones (Sivoia QS roller shades, drapery tracks, skylight shades, and lighting zones on GRAFIK Eye QS)

Sivoia® QS | Specification benefits

Lutron® is the world's leading manufacturer of lighting control and shading systems for over 45 years of experience. We focus on continually innovating, while offering world-class service and support.

Control

Ultra-quiet electronic drive

The Sivoia® QS system is low-voltage and operates at a near-silent level (rated at less than 44 dBA at three feet). Shades move smoothly and stop at preset positions with no audible clicks.

Total light control

Lutron lighting control systems integrate with Sivoia QS shades and drapes, offering intuitive control of both electric light and daylight. GRAFIK Eye® QS and Sivoia QS use the same wiring configuration and do not require any interfaces, ensuring seamless integration for total light control.

Installation

Simple reconfiguration

The Sivoia QS system can be easily reconfigured, limits can be changed, and presets can be reprogrammed without rewiring through the remote, keypad, or electronic drive unit (EDU).

Simplified wiring

Sivoia QS shading systems do not require any group controllers, relays, or line-voltage wiring between electronic drive units.

QS Smart Panel Diagnostics

The QS Smart Panel power supply features advanced diagnostics to quickly verify system communication and wiring.

Flexibility and performance

Limits and presets never lost

Precise limits and preset shade positions are electronically set and have a power-failure memory for the life of the system. These limits and presets will never drift regardless of age, electrostatic discharge, or power failure.

Sustainable solutions and LEED™

Lutron shading and lighting controls may contribute to obtaining up to 20 points in 5 of 6 LEED credit categories.

System warranty and support

Sivoia QS systems come with an 8-year limited warranty, plus optional extended service. Lutron has factory-employed field service engineers throughout the world and is the only lighting control or shade systems manufacturer in the world with a 24-hour, 7 days a week technical support center.

Aesthetics

Minimal, symmetrical light gaps

Sivoia QS roller shades offer symmetrical light gaps of .75 inch per side.

Elegant control options

Lutron controls are designed to match the high-end look and feel of today's premiere working and living spaces. They are available in a wide variety of colors and finishes, including metals.

Wide array of fabrics

Lutron shading systems are available in fabric styles to suit any function or aesthetic need, including many sustainable fabric choices.

About Lutron®

our commitment

Lutron is committed to bringing our customers best-in-class products and solutions that offer superior performance with world-class service and global support.

Light control is environmentally responsible. It enhances life safety, and it enhances security. Lutron develops high-quality, elegant lighting solutions that reduce energy costs significantly. We innovate in advance of emerging market needs and continually streamline our quality, our delivery, and our value.

Lutron owns more than 250 patents and manufactures more than 15,000 products. For over 45 years, we have met and exceeded the highest standards of quality and service. Every one of our products is quality-tested before it leaves the factory. We are available to help, on the phone or in the field, whenever we are needed.

unmatched support

Expert design assistance

- Product, application and system knowledge to identify the best solutions to meet project objectives
- Design assistance for the specification community with drawings and written specifications
- Quick turnaround to meet construction schedules
- Product demonstrations, samples, and installation documentation
- Global project management

Expert service

- Ongoing commitment to service and reliability
- Global field service engineers handle factory commissioning and support
- 24/7 multilingual technical phone support
- Assured performance plans include annual warranty extension, annual comprehensive preventative maintenance, and customized training

Lutron® has been the world's leading manufacturer of lighting controls and systems for more than 45 years. With the addition of Sivoia QED® and Sivoia® QS shading solutions, Lutron has opened up a new world of possibilities by seamlessly integrating electric and daylight control with a focus on innovation, world-class engineering, and customer service. Lutron blends technology with design and environmental sensitivity to provide the ideal solution for total light control.



www.lutron.com/sivoiaqs

Lutron Electronics Co., Inc.
7200 Suter Road
Coopersburg, PA 18036-1299

World Headquarters +1.610.282.3800
Technical Support Center 1.800.523.9466
Customer Service/Quotes 1.800.446.1503
Email: shadinginfo@lutron.com

© 01/2009 Lutron Electronics Co., Inc.
P/N 367-1374 REV B

